

## ASC/DSC Self Aligning Accessories



### FEATURES

- Capacities: 30 - 50t
- Hardened components at all bearing surfaces
- Self-aligning construction
- Stainless steel

### DESCRIPTION

The ASC and DSC Self Aligning Set, provides weighing assemblies suitable for truck scale, rail scale and process weighing applications.

The Self Aligning Set is specially designed to be used in weighbridges without stay or check rods. Eccentric washers are used to ensure

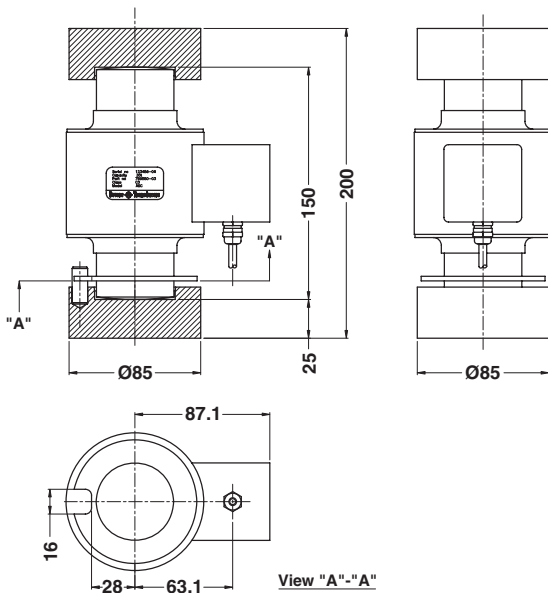
that the load cell is placed in a vertical position, and perpendicular to its mounting surfaces.

Long-term reliability is assured through the use of hardened corrosion resistive steel on all mount parts.

### APPLICATIONS

- Truck and rail scale applications
- Silo and weighbridge applications

### OUTLINE DIMENSIONS in millimeters



Mount	Assembly guidelines	P/N
Self Aligning Set	02/03-110/01	799863-00
Set of 3 eccentric washers		499125-00

### VISHAY TRANSDUCERS (VT) SALES OFFICES

**VT Americas**  
**City of Industry, CA**  
 PH: +1-626-858-8899  
 FAX: +1-626-332-3418  
 vt.us@vishaymg.com

**VT Netherlands**  
**Breda**  
 PH: +31-76-548-0700  
 FAX: +31-76-541-2854  
 vt.nl@vishaymg.com

**VMG UK**  
**Basingstoke**  
 PH: +44-125-646-2131  
 FAX: +44-125-647-1441  
 vt.uk@vishaymg.com

**VMG Israel**  
**Netanya**  
 PH: +972-9-863-8888  
 FAX: +972-9-863-8800  
 vt.il@vishaymg.com

**VMG Germany**  
**Heilbronn**  
 PH: +49-7131-3901-260  
 FAX: +49-7131-3901-2666  
 vt.de@vishaymg.com

**VT China**  
**Tianjin**  
 PH: +86-22-2835-3503  
 FAX: +86-22-2835-7261  
 vt.prc@vishaymg.com

**VMG France**  
**Chartres**  
 PH: +33-2-37-33-31-20  
 FAX: +33-2-37-33-31-29  
 vt.fr@vishaymg.com

**VT Taiwan\***  
**Taipei**  
 PH: +886-2-2696-0168  
 FAX: +886-2-2696-4965  
 vt.roc@vishaymg.com  
 \*Asia except China